

OpenEye®



360°



rotate

100°



tilt

OpenEye's 510-Series IP66 rated weatherproof 23x optical zoom camera is an excellent solution for outdoor PTZ surveillance. With its all-in-one cabling design and complete integration with OpenEye DVRs and keyboard controllers, installation or configuration of the 510-Series camera is quick and easy.

HIGHLIGHTS

- » 23x Optical Zoom
- » IR Sensitive
- » Wide Dynamic Range (WDR)
- » Backlight Compensation
- » 480 TVL Resolution
- » 8 Alarm Sensor Inputs
- » IP 66 Rated for Indoor/Outdoor Use

23X OUTDOOR PTZ DOME

23X OUTDOOR PTZ DOME

CAMERA SPECIFICATIONS

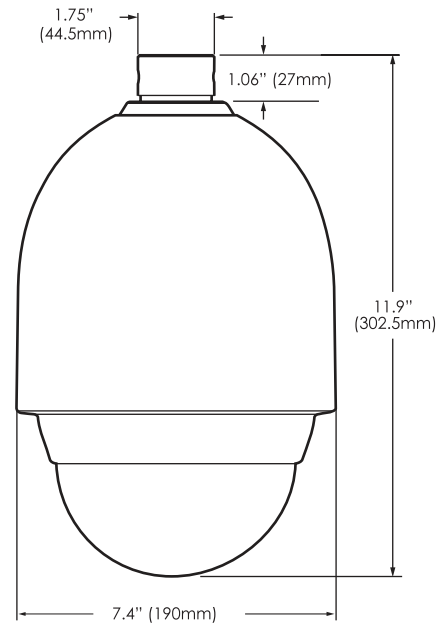
Image Sensor	1/4" Interline CCD Hitachi® DSP-6
Progressive Scan	Yes
Optical Zoom	23x
Effective Pixels	380k
Horizontal Resolution	480 TVL
Synchronization	Internal / Line Lock
Video Output	1.0 Vpp / 75Ω, BNC
S/N Ratio	> 50 dB (AGC Off)
Minimum Illumination	0.1 lux; 0.01 lux (B/W)
Focal Length	3.6 ~ 82.8mm
Focus Mode	Auto / Manual
White Balance	Auto / Manual
Iris Control	Auto / Manual
Electronic Shutter	1/2 ~ 1/30k sec.
AGC Control	Auto / Manual
Back Light Compensation	On / Off

OPERATION SPECIFICATIONS

Built-in Protocol	Optix III, Pelco D&P, VCL, Philips, AD-422, JVC, Kalatel
Pan Travel	360° endless
Tilt Travel	-10° ~ 190°
Manual Speed	1° ~ 90°/s
Presets	256
Preset Accuracy	Pan: 0.225° Tilt: 0.225°
Preset Speed	Pan: 5° ~ 400°/s Tilt: 5° ~ 400°/s
Pattern	1
Tour (Preset)	8
Auto Scan	4
Privacy Mask	8
Resume After Power Loss	Yes
Zone Title	16
Home Function	Preset, Sequence, Auto Pan, Cruise
Auto Flip	Digital / Mechanical / Off
Digital Slow Shutter	On / Off
Wide Dynamic Range	On / Off
Day / Night: IR Cut Filter	On / Off
Alarm Input	8
Alarm Output	1
Alarm Reaction	Pattern, Tour (Preset), Auto Scan

GENERAL SPECIFICATION

Controller Interface	RS-485
Operating Temperature	-58°F ~ 122°F (-50°C ~ 50°C)
Weatherproof Standard	IP66 Standard
Dimension	7.4 x 11.9 in. (Ø190 x 302.5mm)
Weight	12.8lbs (5.8kg)
Power Source	AC24V ± 10%
Power Consumption	65W (Max)
Regulatory	CE, FCC, RoHS
Housing / Dome Cover	White / Clear



510-SERIES MODELS

CM-510 - 23x Outdoor PTZ Dome

CAMERA ACCESSORIES

CA-510C	Corner Plate
CA-510G	Gooseneck Pole Mount (With Anti Drop)
CA-510P25	25cm Pole
CA-510P50	50cm Pole
CA-510PA25	1/4" Threaded Adapter
CA-510PA50	1/2" Threaded Adapter
CA-510PML	Large Pole Mount
CA-510PMS	Small Pole Mount
CA-510W	Wall Mount Bracket (With Anti Drop)



23221 E Knox Ave
Liberty Lake, WA 99019
1.888.542.1103
www.openeye.net



28572AC

Copyright ©2008 OpenEye, Inc. All Rights Reserved. Information contained in this document is subject to change without prior notice. OpenEye does its best to provide accurate information but cannot be held responsible for typos or mistakes.

A12931