

OpenEye[®]



360°



rotate

83°



tilt

OpenEye's 300-Series line of dome cameras provide superior video quality and design. A low lux level for indoor/outdoor low light recording, high TV Line resolution, and complete integration with all OpenEye DVRs, make the Optix 300-Series domes a smart solution for virtually every application.

HIGHLIGHTS

- » 540 TVL
- » Optically Correct Bubble
- » Dual Voltage Operation 12VDC/24VAC
- » Withstands Temperatures to -58°F
- » Day / Night Operation
- » IP 66 Rated for Indoor/Outdoor Use
- » 1/3" Interline CCD Sony Super HAD Sensor

**HIGH
RESOLUTION
VANDAL PROOF
OUTDOOR DOME**

HIGH RESOLUTION VANDAL PROOF OUTDOOR DOME

VANDAL PROOF

The OpenEye 300-Series line of dome cameras not only provide superior video quality and design but also offer users the protection of a vandal proof dome. The 300-Series dome is designed for tough environments where average security cameras were not designed to survive. The dome is enforced with a high grade polycarbonate housing which can withstand almost any inflicted damage. The 300-Series is also available with an optional internal heater, allowing the camera to operate in temperatures as low as -58°F.

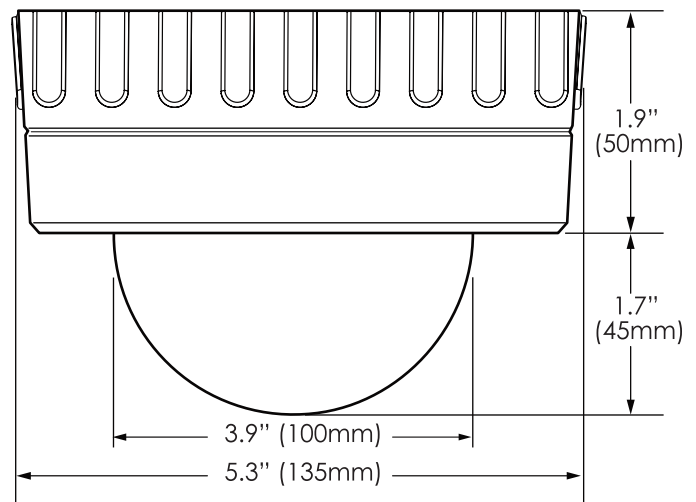
HIGH RESOLUTION

OpenEye's 300-Series Outdoor Dome utilizes high resolution technology, providing users a better quality picture and allowing for easy identification in critical situations. The installed camera is a high resolution color camera which can operate with an amazing 540 lines of resolution. The 300-Series dome can also be utilized in day and night applications with an outstanding 0.6 Lux. The 300-Series dome stands out from any other camera on the market by offering users a sharp picture and true vibrant colors.

CAMERA SPECIFICATIONS		
	CM-300	CM-300H
Scanning System	2:1 Interlace H:15750Hz, V:59.94Hz	
Image Sensor	1/3" Interline CCD Sony® Super HAD	
Pixel Count	768(H) x 494(V) Total: 380K	
Minimum Illumination	0.6 lux @ F=1.2 (50 IRE Video Output)	
Resolution: Day/Night	540 TVL / 560 TVL	
Video Output	1.0Vpp 75Ω BNC unbalanced	
Sync System	Internal / Line Lock	
S/N Ratio	50dB	
Auto Gain Control	AGC-EX / AGC Norm	
Auto Iris Control	DC Drive	
AES	1/60 - 1/100,000	
White Balance	Auto White Balance	
Line Lock Phase Adjust Range	0°~270°	
Line Lock Frequency Range	60Hz +/- 1Hz	
Back Light Composition	Center Area for Auto IRIS	
Heater	N/A	YES
Operating Temperature	-13°F ~ 122°F (-25°C ~ 50°C)	-58°F ~ 122°F (-50°C ~ 50°C)
Immunity	CE:EN50130-4	
Safety	CSA C22.2	
Power Consumption	4.2W (Max)	15W (Max)
Voltage	12VDC / 24VAC +/- 10%	
Weight	1lb 5.5oz (0.61kg)	
Housing / Dome Cover	Gray / Clear	

FEATURES

- » Day/Night Operation
- » 1/3" Interline CCD Sony® Super HAD Color Sensor
- » Supports NTSC
- » 2 Composite Outputs: 1 BNC / 1 1/8" mini jack
- » 50dB Signal to Noise Ratio
- » Back Light Compensation on Center Area
- » Vandal Proof Polycarbonate Dome
- » Easy to Install
- » Small Form Factor
- » Both Indoor and Outdoor Use
- » Included Flush Mount Kit
- » Optional Heater
- » Weather Resistant



300-SERIES MODELS

CM-300	CM-300H
Day/Night Operation, 0.6 lux	Day/Night Operation, 0.6 lux
4" Mini Dome	4" Mini Dome
3~9mm	3~9mm
IP 66 Rated for Indoor/Outdoor Use	IP 66 Rated for Indoor/Outdoor Use
	Heater for Outdoor Usage

CAMERA ACCESSORIES (Sold Separately)

CA-3004SM	4S Electrical Box Mount
CA-300C	Corner Mount
CA-300PMK	Pendant Mount Kit
CA-300W	Wall Mount Arm



23221 E Knox Ave
Liberty Lake, WA 99019
1.888.542.1103
www.openeye.net



27849AH

Copyright ©2008 OpenEye, Inc. All Rights Reserved. Information contained in this document is subject to change without prior notice. OpenEye does its best to provide accurate information but cannot be held responsible for typos or mistakes.