

OpenEye[®]



360°



rotate

83°



tilt

OpenEye's 200-Series dome cameras are available with high resolution sensors, providing users a better quality picture and allowing for easy identification in critical situations. 200-Series High Resolution cameras can record at up to 540 lines of resolution in standard light and 560 TVL in low light.

HIGHLIGHTS

- » Tamper Resistent Construction
- » 3 Axis Gimbal for 360° Positioning
- » Dual Voltage Operation 12VDC/24VAC
- » Optically Correct Bubble
- » Service Jack Adjustment
- » Zero Smearing*

* Wide Dynamic Range Camera

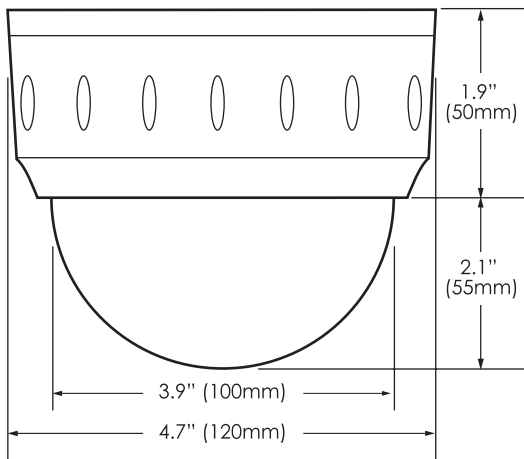
HIGH RESOLUTION INDOOR DOME

HIGH RESOLUTION INDOOR DOME

HIGH RESOLUTION IMAGING

OpenEye's 200-Series Domes are available with high resolution sensors, providing users a better quality picture and allowing for easy identification in critical situations. 200-Series High Resolution cameras can record at up to 540 lines of resolution in standard light and 560 in low light. The 200-Series Dome can be utilized in day and night applications recording in lighting as low as .6 lux.

HIGH RESOLUTION DOME SPECIFICATIONS		
	CM-200	CM-209
Scanning System	2:1 Interlace H:15750Hz, V:59.94Hz	
Image Sensor	1/3" Interline CCD, Sony Super HAD	
Minimum Illumination	0.6 lux @ F=1.2 (50 IRE Video Output)	
Resolution: Day/Night	540 TVL / 560 TVL	
Video Output	1.0Vpp 75Ω BNC unbalanced	
Sync System	INT / LL	
S/N Ratio	50dB	
Auto Gain Control	AGC-EX / AGC Norm	
Auto Iris Control	DC Drive	
Lens (Adjustable)	3-9mm	9-22mm
White Balance	Auto White Balance	
Line Lock Phase Adjust Range	0°~270°	
Line Lock Frequency Range	60Hz +/- 1Hz	
Back Light Composition	Center Area for Auto IRIS	
IP Rating	IP 55	
Power Consumption	4.2 Watts	
Operating Temperature	14°F ~ 122°F (-10°C ~ 50°C)	
Service Monitor	2.5mm	
Weight	9.6oz (0.27kg)	
Housing / Dome Cover	White / Clear	



WIDE DYNAMIC RANGE

OpenEye's 200-Series Wide Dynamic Range Mini Dome utilizes Digital Signal Processing (DSP) technology to create the clearest image possible. DSP Technology provides unmatched image quality and superior image clarity in high dynamic lighting conditions. Cameras equipped with DSP technology will produce far superior recorded images in drastic lighting conditions such as direct sunlight.

WIDE DYNAMIC RANGE DOME SPECIFICATIONS	
	CM-200W
Image Sensor	1/3" Pixim Orca CMOS
Minimum Illumination	0.6 lux @ F=1.2 (AGC Boost)
Resolution	504+ TVL
Video Output	1.0Vpp 75Ω BNC Unbalanced
S/N Ratio	>42dB @ F1.2, 50 IRE
Dynamic Range	120dB Max Dynamic Range, 102dB typical
White Balance	AWB, ATW, MWB, ATW-EX
AWB Range	Gain Control, Shutter Control, Wide Dynamic, Manual
Wide Dynamic Range	120dB Max
Slow Shutter	Default 2x Max 16x
Day & Night	SDN (AUTO, ON, OFF)
Digital Zoom	Manual 3x
Input Voltage	12VDC / 24VAC +/- 10%
Mirror	Horizontal (ON, OFF)
IP Rating	IP 55
Power Consumption	4.5 Watts
Operating Temperature	14°F ~ 122°F (-10°C ~ 50°C)
Service Monitor	2.5mm
Weight	9.6oz (0.27kg)
Housing / Dome Cover	White / Clear

200-SERIES MODELS

CM-200	CM-200W	CM-209
High Resolution Day/Night Operation	Wide Dynamic Range Day/Night Operation	High Resolution Day/Night Operation
540 TVL	504+ TVL	540 TVL
3-9mm Adjustable Aspherical Lens	3-9mm Adjustable Aspherical Lens	9-22mm Adjustable Aspherical Lens
IP 55 Rated For Indoor Use	IP 55 Rated For Indoor Use	IP 55 Rated For Indoor Use

CAMERA ACCESSORIES (Sold Separately)

CA-200PMK	Pendant Mount Kit
CA-200C	Corner Mount
CA-2004SM	4SM Electrical Mount
CA-200W	Wall Mount Arm

OpenEye

North America

888.542.1103 Toll Free • 509.232.5261

509.777.6702 Fax • Liberty Lake, WA • www.openeye.net



27848AG

Copyright ©2008 OpenEye, Inc. All Rights Reserved. Information contained in this document is subject to change without prior notice. OpenEye does its best to provide accurate information but cannot be held responsible for typos or mistakes.

A12931