

OpenEye[®]



360°



rotate

83°



tilt

OpenEye's 170-Series dome is a cost-effective, compact, vandal proof indoor/outdoor camera solution. Protected by a high-grade polycarbonate housing, the 170-Series dome comes equipped with an integrated quick-mount feature allowing for easy installation without screws or anchors.

HIGHLIGHTS

- » 500 Lines of Resolution
- » 4mm-9mm Vari-Focal Lens
- » Ultrasonically Welded Polycarbonate Dome
- » Backlight Compensation
- » Turbo Auto Gain Control
- » 3/4" and 1/2" Conduit Mounting Points
- » IP 66 Rated for Indoor/Outdoor Use

VANDAL PROOF OUTDOOR MINI DOME

VANDAL PROOF OUTDOOR MINI DOME

VANDAL PROOF

The 170-Series is compatible with OpenEye's Quickmount bracket for easy installation and supports mounting directly to single-gang electrical boxes as well as providing connection points for 3/4" and 1/2" conduit. With its triple-wall polycarbonate construction, the 170-Series dome is able to withstand almost any major impact.

CAMERA SPECIFICATIONS

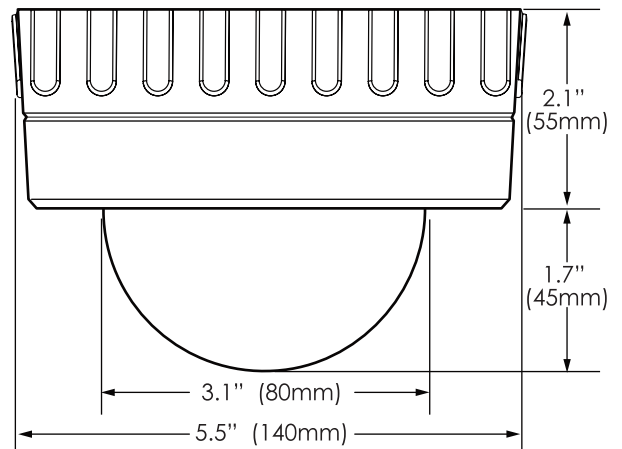
Scanning Element	2:1 Interlace H15.734KHz / V :59.9Hz
Effective Picture Element	768(H) x 494(V)
Image Sensor	1/3" Interline CCD Sony® Super HAD
Resolution	500 TVL
Minimum Illumination	1.2 lux @ F1.6 (50 IRE)
S/N Ratio	48dB
Back Light Compensation	Central Area for DC IRIS Lens
Exposure Control	DC Type Auto IRIS Control
Sync System	INT
Gamma Compensation	0.45
Video Output	1.0Vpp, 75Ω Unbalanced
White Balance	Automatic White Balance
Auto White Balance Range	2500°K – 9700°K
Power Range	DC 12V ±10%
Power Consumption	2.2W (Max)
Operating Temperature	-13°F ~ 122°F (-25°C ~ 50°C)
Housing / Dome Cover	White / Clear

LENS SPECIFICATIONS

Focal Length	4~9mm
F-No.	F1.6
Iris Range	F1.6~F2.4
Minimum Object Distance	19.7" (50cm)
Field Of View	Diagonal: 92.8°~39.4° Horizontal: 71.0°~31.6° Vertical: 51.6°~23.6°
Backlight Compensation	On/Off
AGC-UP	On/Off
Low Light Chroma Suppression	Auto

FEATURES

- » Day/Night Operation
- » Sony® 1/3" Super HAD CCD Color Sensor
- » Supports NTSC
- » Composite Output: 1 BNC
- » 48dB Signal to Noise Ratio
- » Back Light Compensation on Center Area
- » Vandal Proof Polycarbonate Dome
- » Easy to Install
- » Small Form Factor
- » Both Indoor and Outdoor Use
- » Included Flush Mount Kit
- » Weather Resistant



170-SERIES MODELS

CM-170 - Vandal Proof Outdoor Mini Dome

CAMERA ACCESSORIES (Sold Separately)

CA-3004SM	4S Electrical Box Mount
CA-300C	Corner Mount
CA-300P	Quick Mount Adapter
CA-170PMK	Pendant Mount Kit
CA-300W	Wall Mount Arm



23221 E Knox Ave
Liberty Lake, WA 99019
1.888.542.1103
www.openeye.net



28568AC

Copyright ©2008 OpenEye, Inc. All Rights Reserved. Information contained in this document is subject to change without prior notice. OpenEye does its best to provide accurate information but cannot be held responsible for typos or mistakes.